



**MASON
COMPANY**

Designers and Manufacturers of
Quality Animal Enclosures Since 1892.

Installation Instructions for Aluminum Framed Wall Mount Swing Up Rest Benches

1. Measure out from the back wall of the run a distance of 1'-8 3/8" and make a mark on the division panel (or side wall). Then measure up vertically a height of 3 3/4" plus the height of the rest bench (example: If you have a 6 3/4" high rest bench you would measure up 10 1/2"). Make a mark on the panel (wall). Using a level, transfer the last mark you made to the back wall of the run. Do this on both sides of the run. See Figure 1.

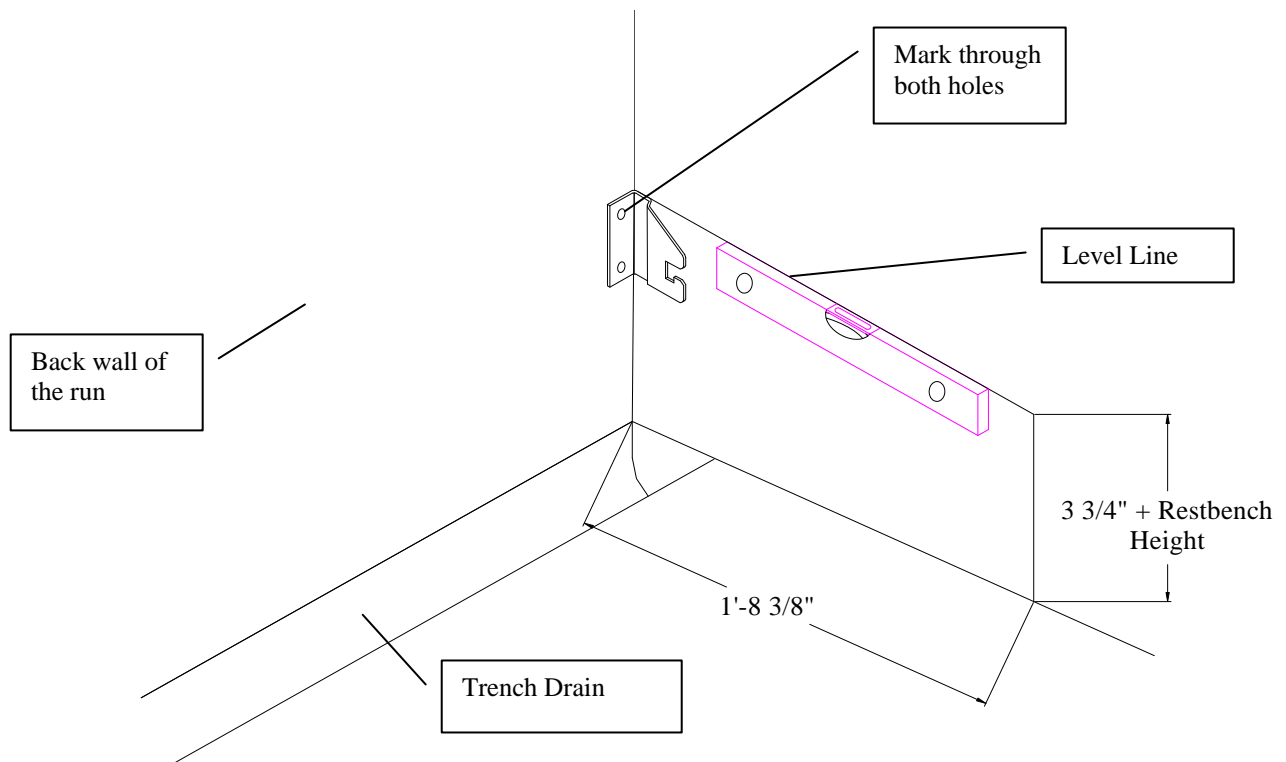


Figure 1.

2. Hold a support bracket against the back and sidewalls of the run so that the top of the bracket is even with the mark. Mark the wall for drilling through both holes in the bracket. See Figure 1.
3. Using a 3/8" masonry bit drill two 3/8" holes in the wall to a depth of 1 1/2".
4. Repeat steps 2 and 3 on the opposite side of the run.
5. Insert a 1/4"-20 x 1 1/4" bolt (supplied) through the mounting holes in the support brackets. Install an anchor plug on each bolt. The end of the anchor should be approximately even with the end of the anchor. Be sure that the anchor plugs are installed in the correct orientation. See Figure 2.

Correct

Not Correct

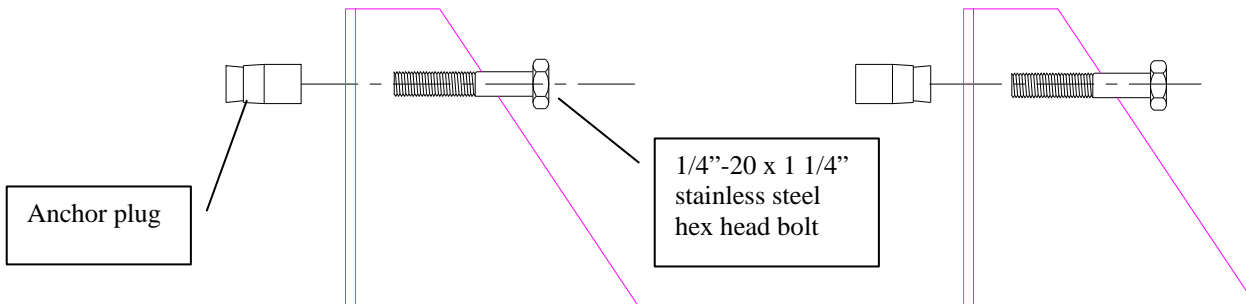


Figure 2.

6. Attach the grid front support to the angle on the bottom of the rest bench using the supplied hardware. See Figure 3.

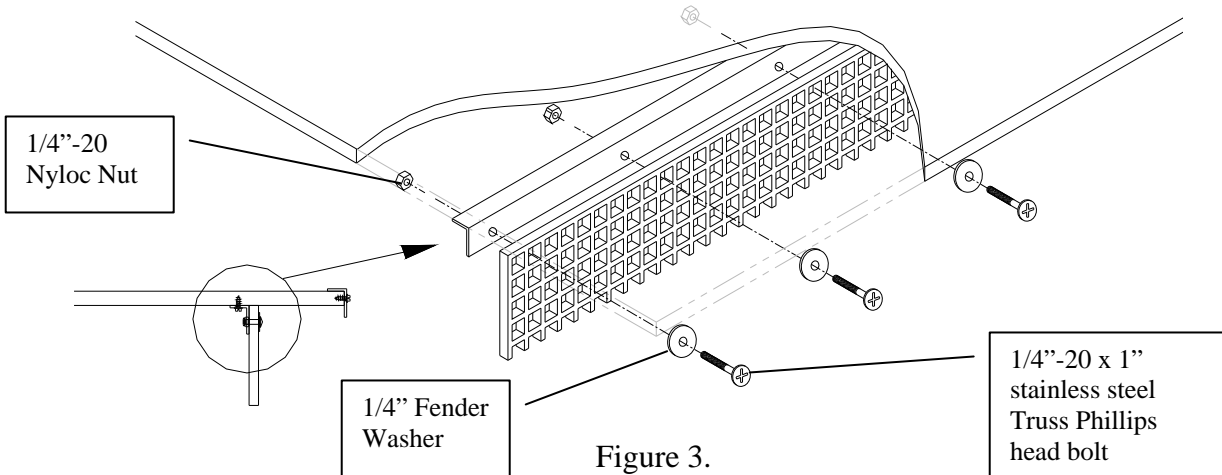


Figure 3.

7. Insert two 1/2"-13 x 1 1/2" bolts supplied into the threaded plugs as shown in Figure 4.

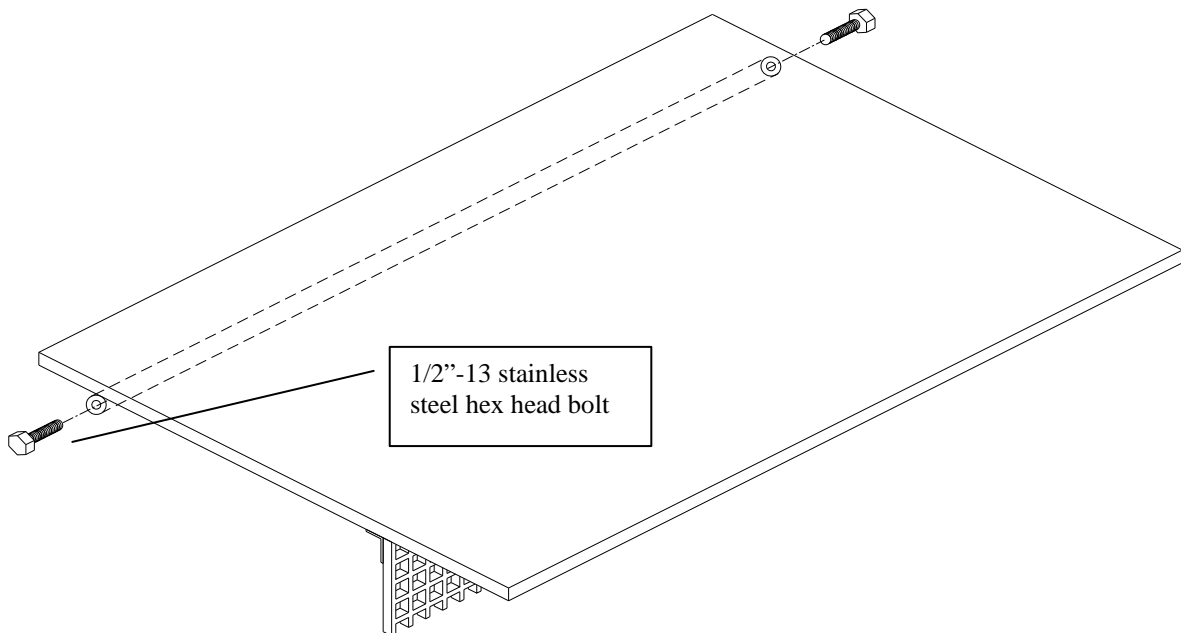


Figure 4.

8. Leave the bolts extending out of the plug approximately $9/16$ " as shown. Do not tighten them with a wrench, hand tighten only! See Figure 5.

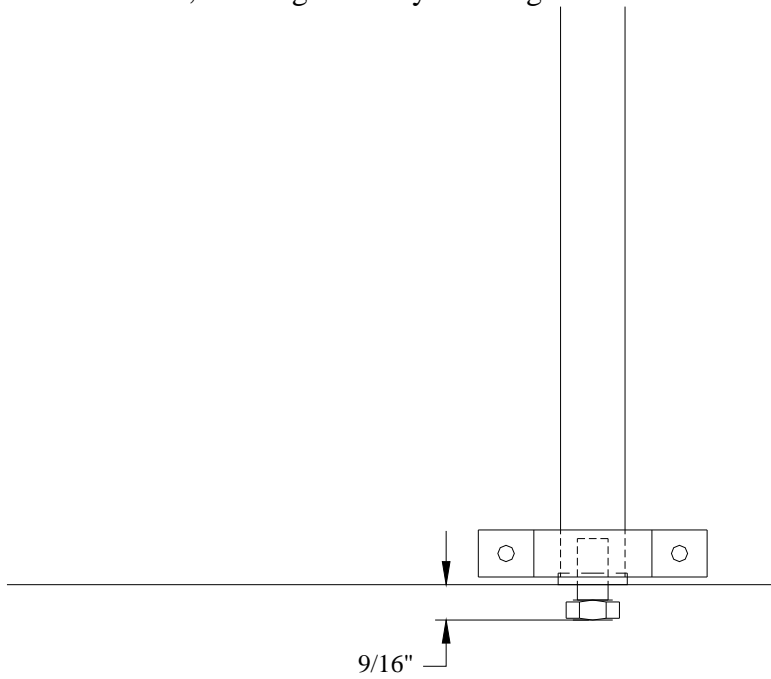


Figure 5.

9. Place the rest bench into positions by situating the bolts into the slot in the front of the rest bench brackets and pushing toward the back of the slot until you feel the bolts drop into the bottom of the slot as shown on Figure 6.

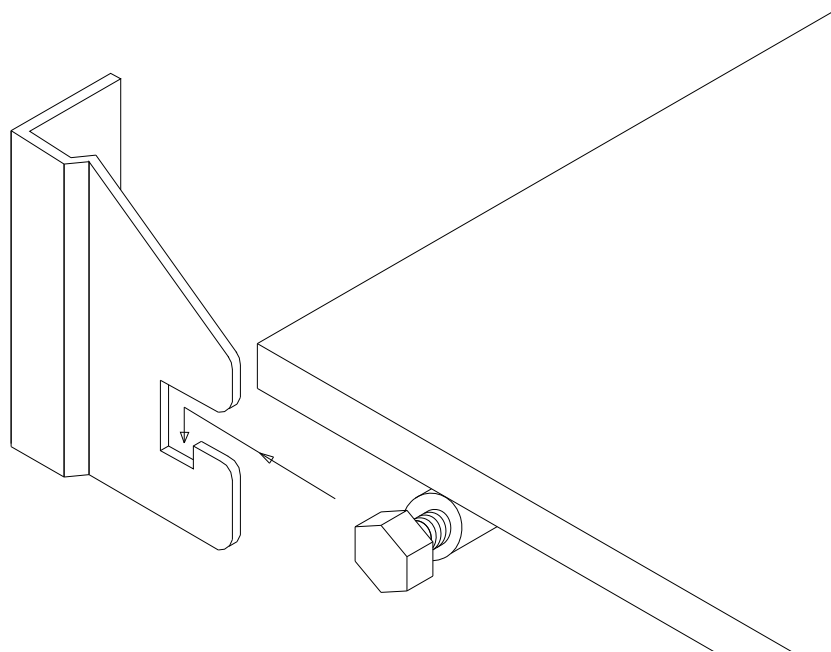


Figure 6.