

**Installation Instructions for
Aluminum Framed Panel Mount
Swing Up Rest Benches**

1. Measure out from the back wall of the run a distance of 1'-8 3/8" and make a mark on the Division Panel (or side wall). Then measure up vertically a height of 1 3/4" plus the height of the rest bench (example: If you have a 6-3/4" high rest bench you would measure up 8-1/2"). Make a mark on the panel or side wall. Using a level, transfer the last mark you made to the rear of the division panel. Do this on both sides of the run. See Figure 1.

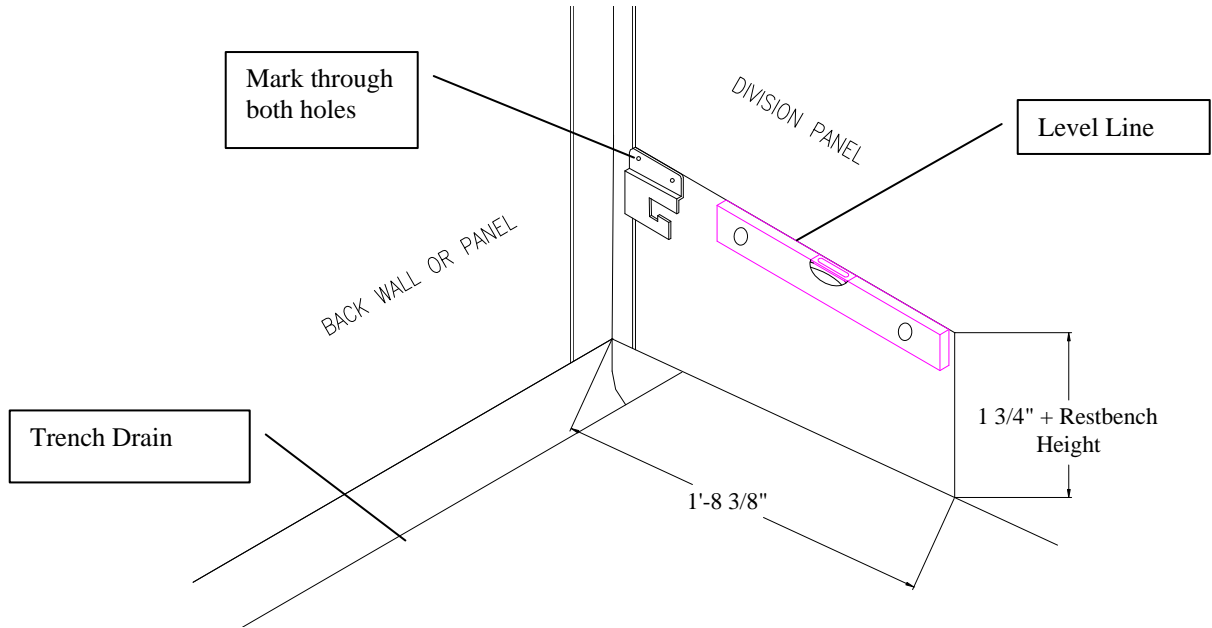


Figure 1.

2. Hold a support bracket so that the rear edge of the bracket is 1 7/16" from the back of the run. (Note: on back to back runs the bracket will be against the edge of the aluminum that frames the back edge of the division panel) Hold the top of the bracket even with the mark. Mark the wall for drilling through both holes in the bracket. See Figure 2.

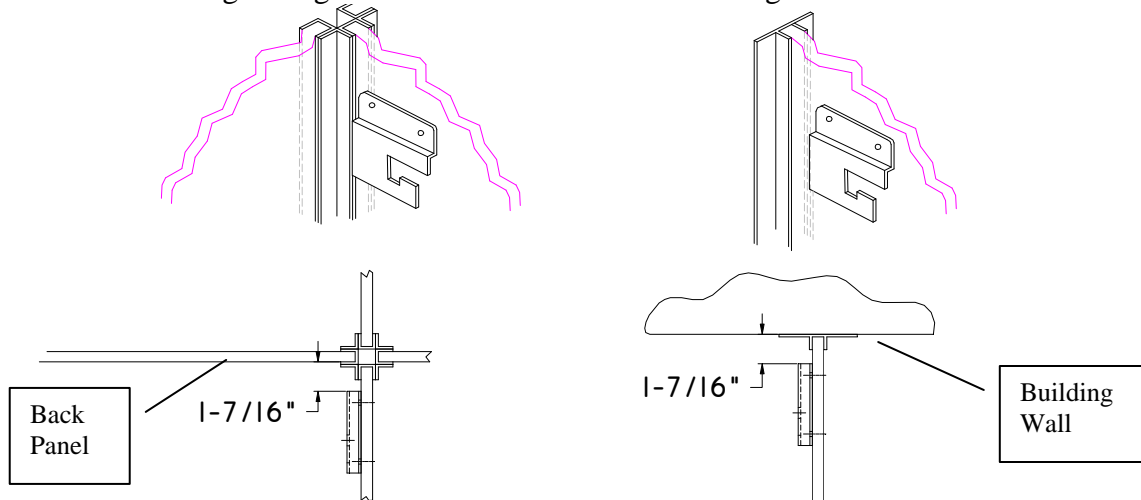


Figure 2.

3. Using a 1/4" drill bit, drill two 1/4" diameter holes through the division panel on the marks made in Step 2.
4. Repeat steps 2 and 3 on the opposite side of the run.
5. Attach the brackets to the Division Panels using 1/4"-20 x 1 1/8" bolts, 1/4"-20 Nyloc nuts, and (for end runs) 1/4" ID Fender washers, (supplied) through the mounting holes in the support brackets. When attaching a bracket to both sides of a division panel, see Figure 3. For end division panels where only one bracket is being applied, see Figure 4.

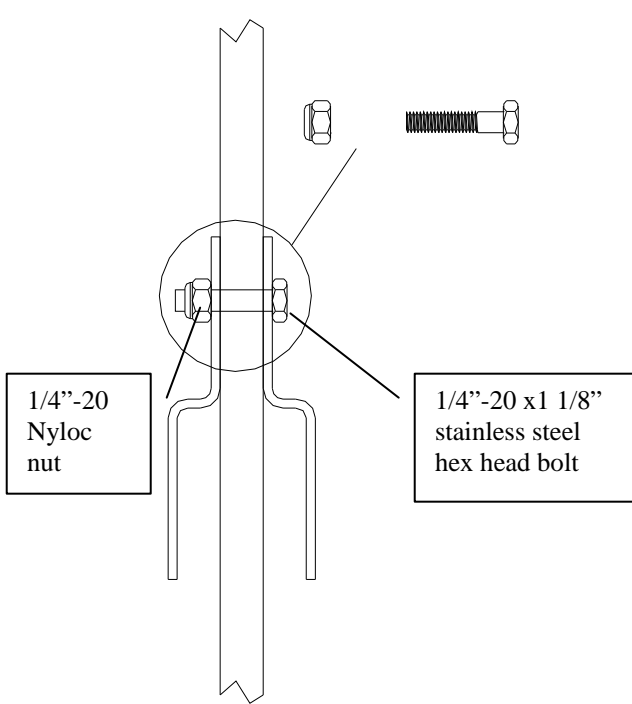


Figure 3.

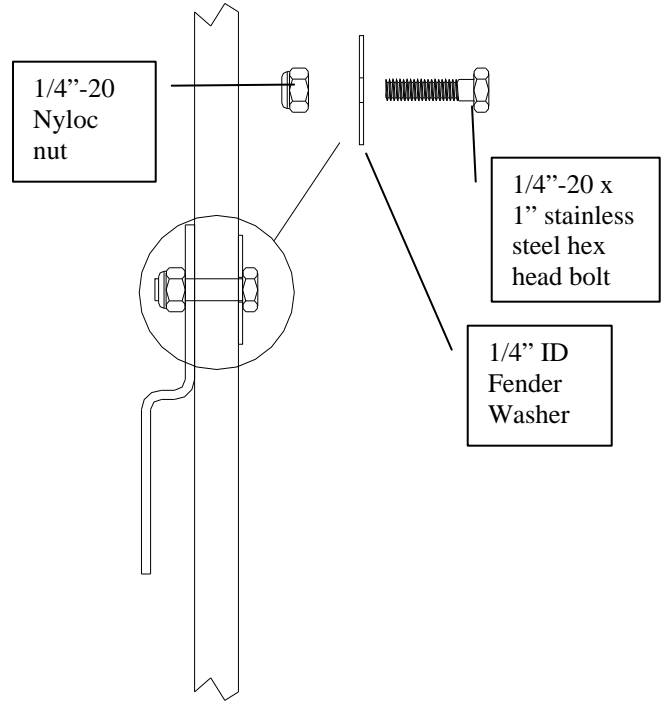


Figure 4.

6. Attach the grid front support to the angle on the bottom of the rest bench using the supplied hardware. See Figure 5.

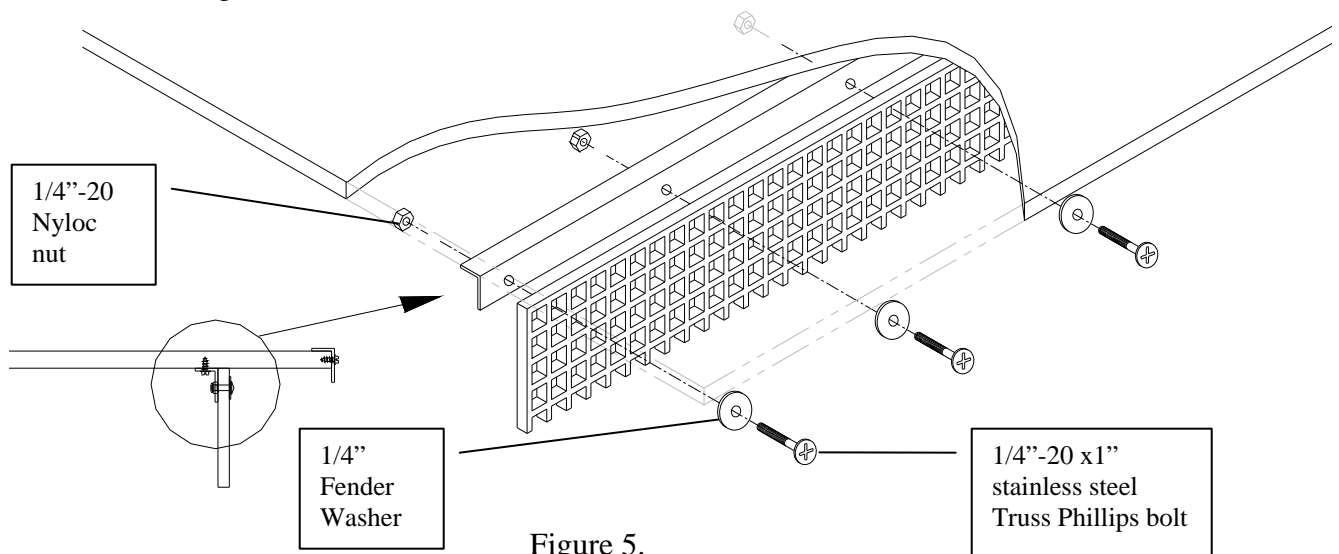


Figure 5.

7. Insert two 1/2"-13 x 1-1/2" bolts supplied into the threaded plugs as shown in Figure 6.

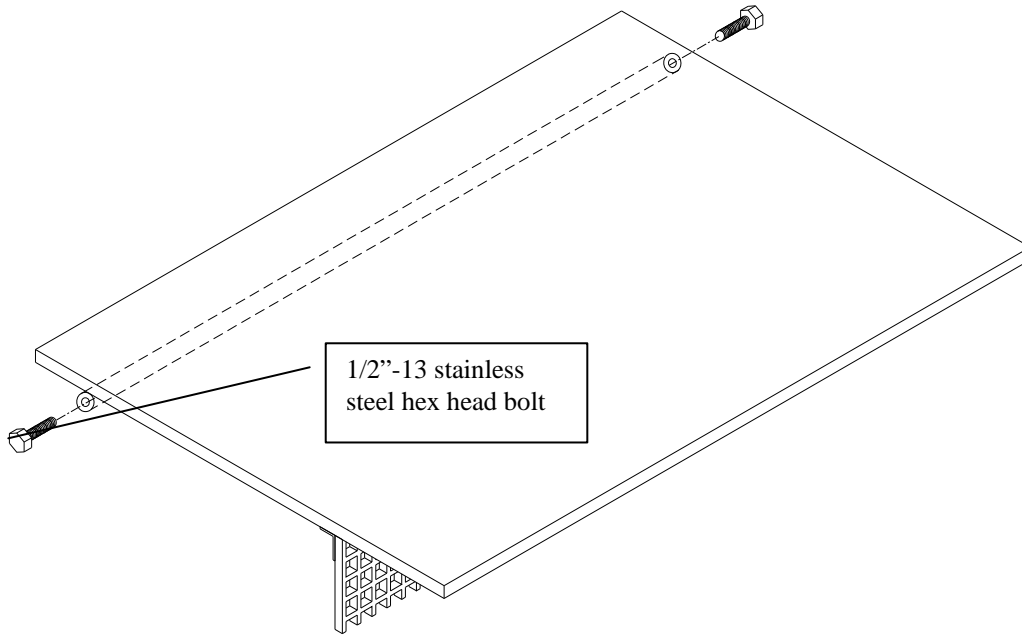


Figure 6.

8. Leave the bolts extending out of the plug approximately 9/16" as shown. Do not tighten them with a wrench, hand tighten only! See Figure 7.

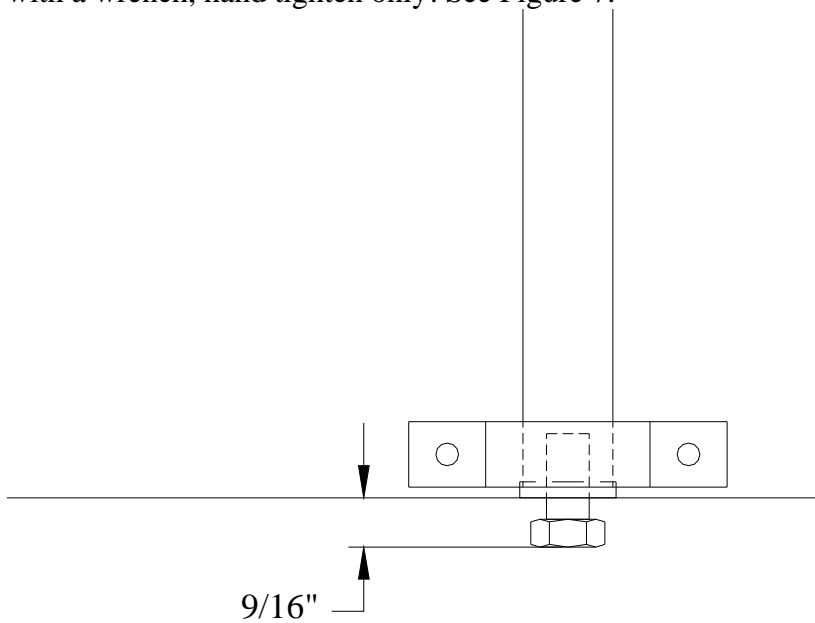


Figure 7.

9. Place the rest bench into positions by situating the bolts into the slot in the front of the restbench brackets and pushing toward the back of the slot until you feel the bolts drop into the bottom of the slot as shown on Figure 8.

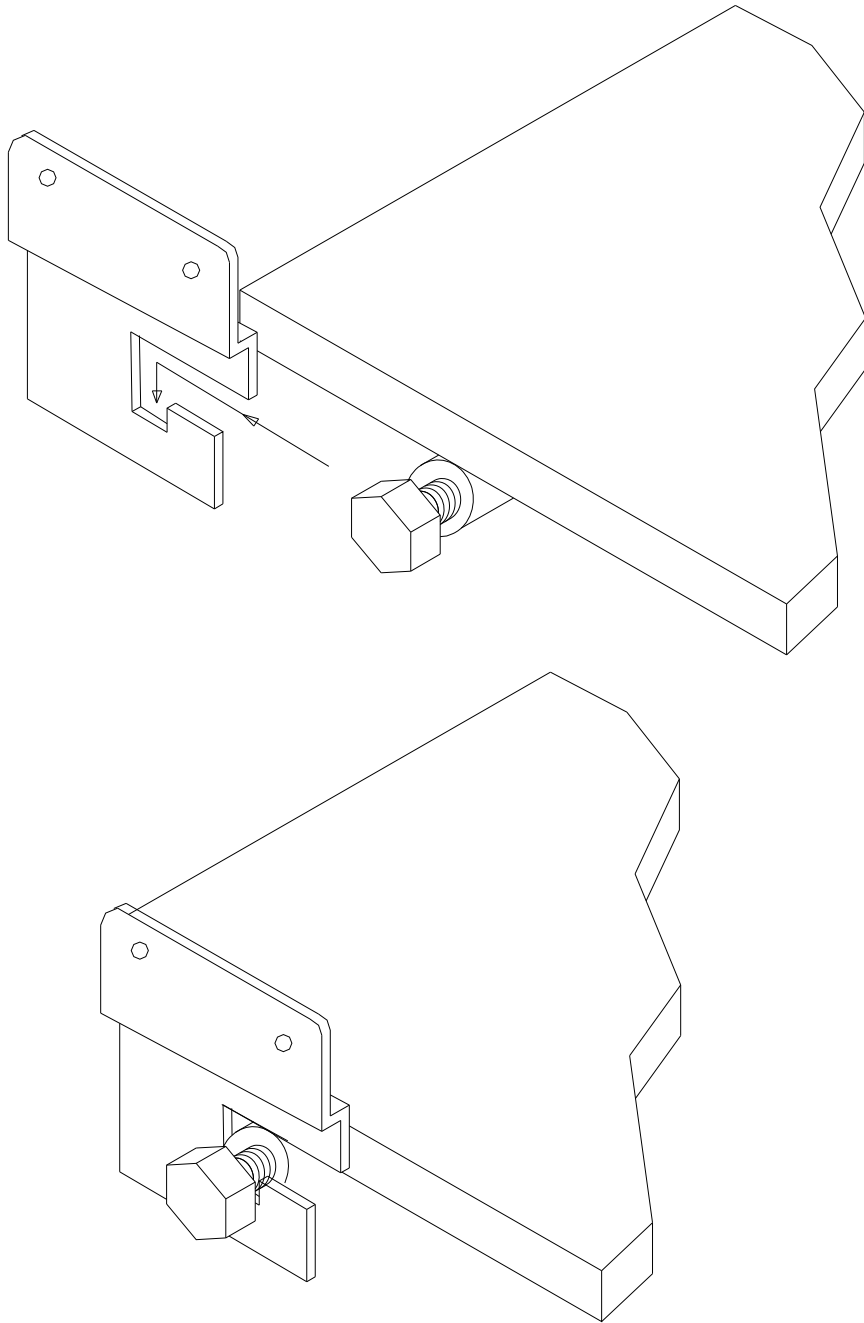


Figure 8.