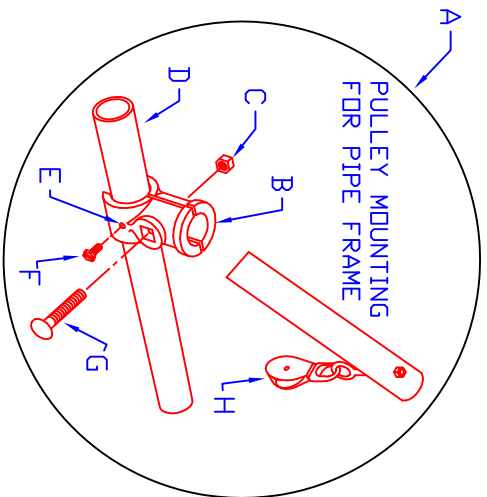


KENL-DOR COUNTER-WEIGHT SYSTEM OPTIONAL SPECIAL PULLEYS FOR KENL-DORS



- A - MASON SPECIAL PULLEY ASSEMBLY, WITH SINGLE PULLEY
- B - LEG CASTING
- C - 5/16" HEX NUT
- D - FRAME OF TOP COVER OR GATE (1.050" DIA.)
- E - PILOT HOLE, 11/64" DRILL (.171") THROUGH ONE WALL OF PIPE
- F - SCREW #10 X 1/2" SELF-TAPPING
- G - CARRIAGE BOLT 5/16" X 1 3/4"
- H - 1" PULLEY WITH EYE BOLT

