

**Installation Instructions for  
Aluminum Gutter Covers  
mounted to a wall**

1. Beginning from point on the back panel that is level with the front edge of the floor trench drain, measure up  $5/8''$  and make a mark on the wall. From the side of the division panel measure in approx.  $4''$  and make another mark. Repeat for the opposite side of the run. See Figure 1.

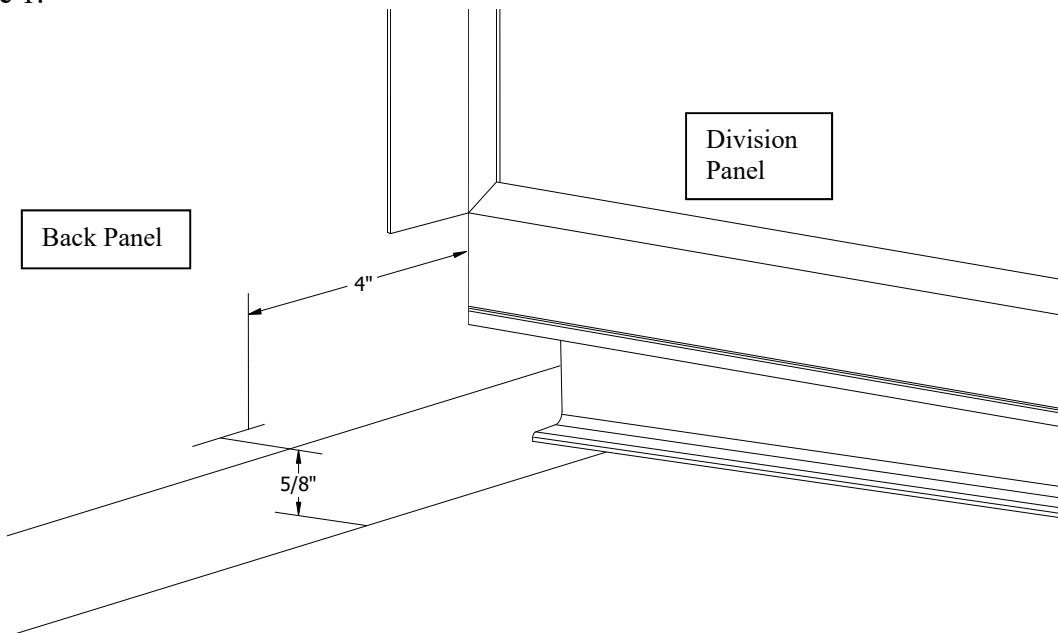


Figure 1.

2. Hold a support bracket so that the bottom edge and one side of the bracket is on the lines you marked in step 1. Mark the wall for drilling through one upper hole and one lower hole diagonally across the brackets. (Note: only two holes are required to mount each bracket). Repeat for the opposite side of the run. See Figure 2.

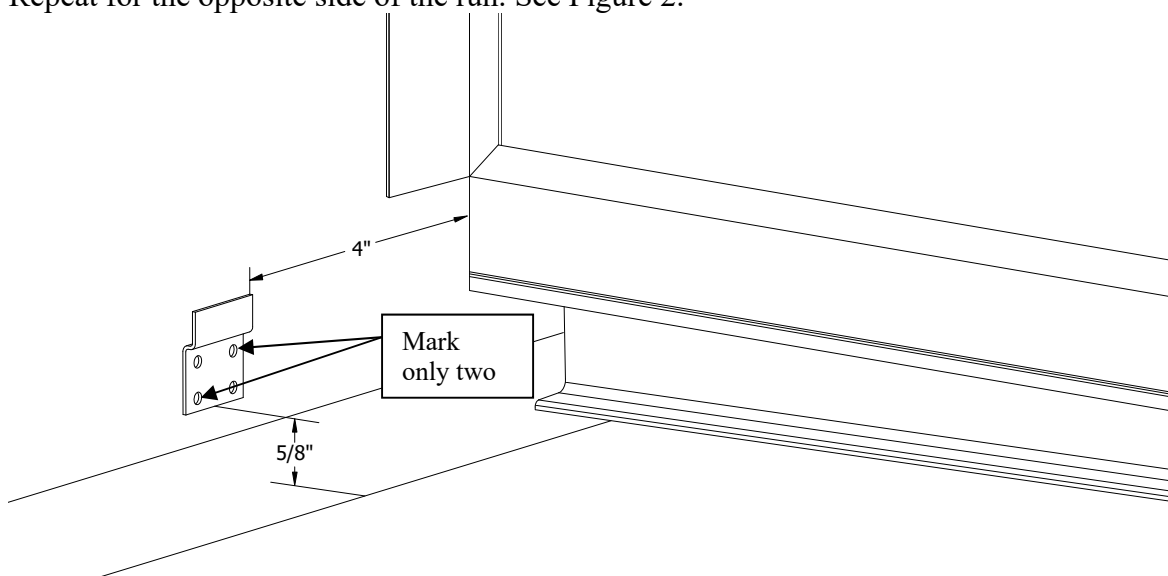


Figure 2.

- Using a 3/16" drill bit, drill (2) holes at least 1-1/4" deep through the marks made in Step 2.
- Attach the brackets to wall using 1/4" x 1-1/4" hex head Tapcon screws (supplied) through the mounting holes in the support brackets. See Figure 3.

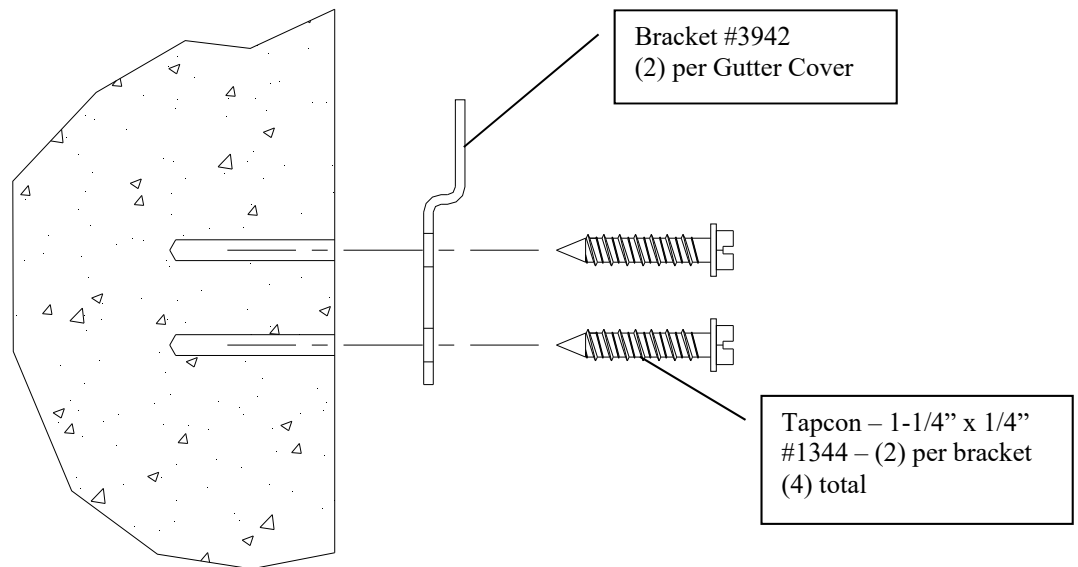


Figure 3.

- Place the gutter cover onto the brackets and lower until the rubber floor protectors touch the floor. See figure 4.

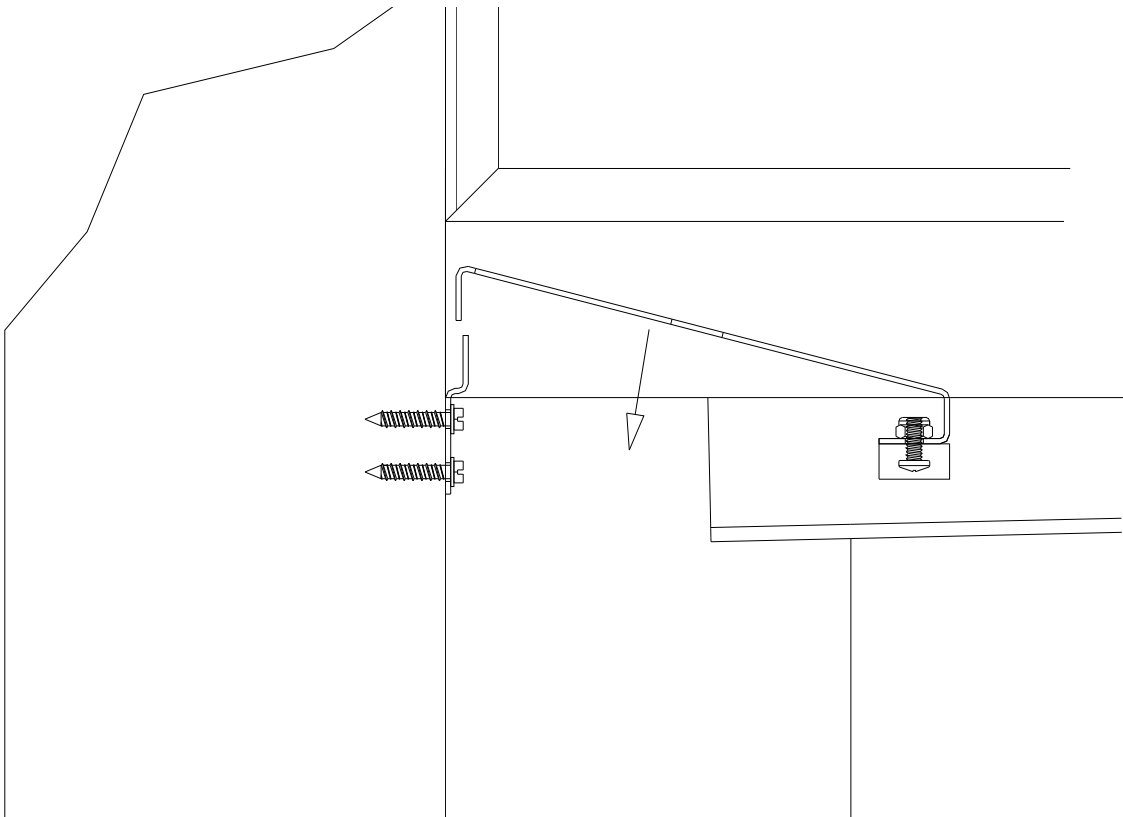


Figure 4.

- Beginning with the gutter covers in place measure in 5" from both division panels and up 1-3/8" from the top of the cover and make two marks on the back wall. See figure 6.

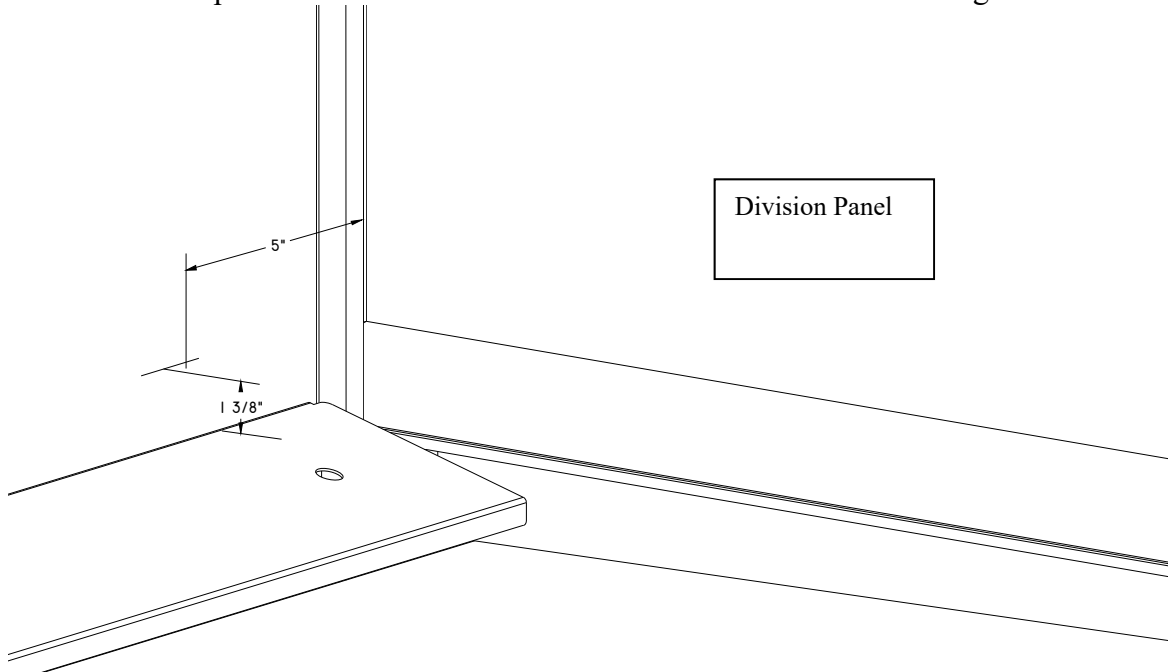


Figure 6.

- Using a 3/16" drill bit, drill (2) holes at least 1-1/4" deep through the marks made in Step 6.
- Attach the pendants to the wall using 1/4" x 1-1/4" hex head Tapcon screws (supplied) through the mounting holes in the pendants. Tighten the fasteners until the pendants can be rotated by hand and stay in the unlocked position without being held. Do not over tighten. See figure 7.

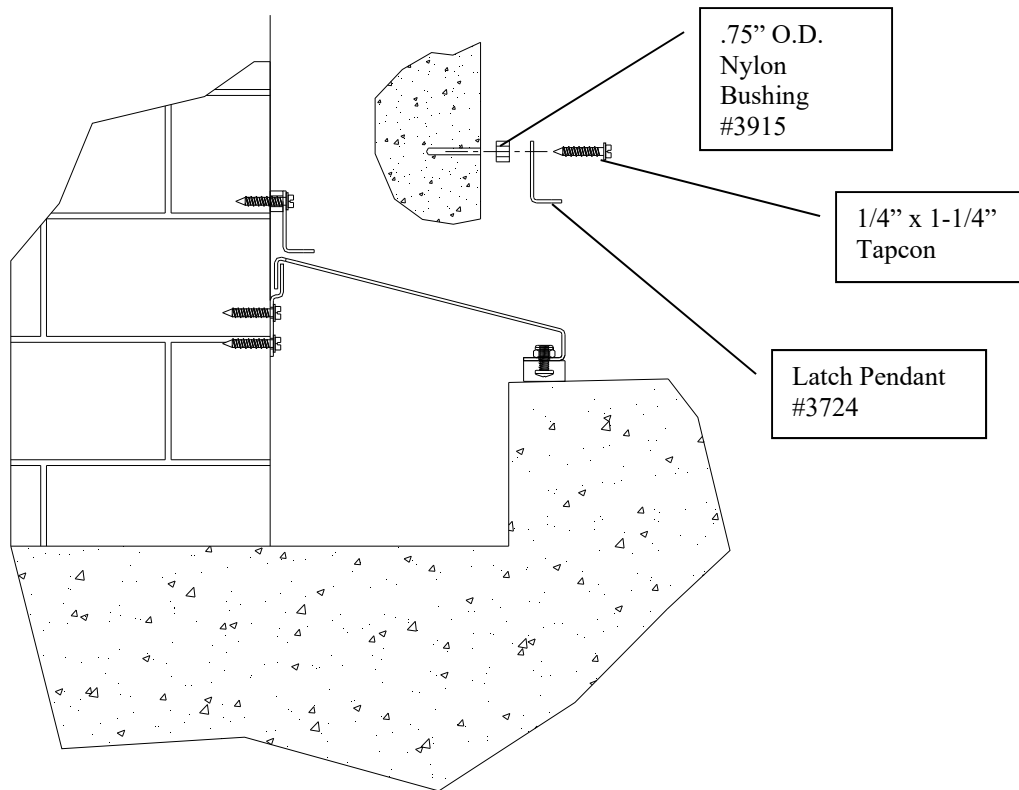


Figure 7.