



**MASON
COMPANY**

Designers and Manufacturers of
Quality Animal Enclosures Since 1892.

**Installation Instructions for
Against the Wall Chainlink
Sani-Kennel**

Introduction

Thank you very much for your investment in Mason kennels. We take great pride in providing our customers with the highest quality animal enclosures combined with an enjoyable ordering experience. The following instructions will assist you with proper assembly, cleaning, and maintenance of your Mason kennels. It is important to follow these guidelines in order to receive the best results and maximum life from your investment.

Assembly

The following pages will show you how to assemble your new Mason kennel. Since every order is custom built to your specifications, the instructions are designed to show the various methods used to assemble our kennels and some of the demonstrations may not apply to your order. Be sure to use the enclosed scale drawings at the end of this document of the provided hardware to ensure proper identification and usage. Note: If your installation includes kennel doors (i.e., guillotine doors) it is suggested that you install them before putting up any of the runs to prevent you from having to go from run to run if you install them later.

Hardware

Depending on your kennel project, you may have some or all of the following hardware:

Part #	Description	Part #	Description
1468	Square-Round Clamps(s) (w/Stainless Steel Gate option)	330	Panel Clamp (w/Chainlink Gate option)
1402	Hanger – Isolation Channel	1995	5/16” x 1-1/2” SS carriage bolt(s)
356	5/16” x 1-1/2” carriage bolt(s)	1774	5/16” x 1-3/4” SS carriage bolt(s)
1774	5/16” x 1-3/4” SS carriage bolt(s)	328	Triple Clamp (w/Chainlink Gate option)
357	5/16” x 1-3/4” carriage bolt(s)	424	5/16” – 18 SS nut
1402	Hanger – Isolation channel	1071	Special pulleys (w/Kennel Door option)
423	5/16” -18 nut		1”, 1-1/2”, 2” or 3” Wall Clamps
1378	#12 x 1-1/4” hex Head Washer Screw		Sealant
		395	Tapcon – 1/4” x 1-1/4” hex head screw

Note: Wall mounting hardware is shown only for reference purposes and is not included

Installation

Required installation tooling:

- Level (4’ preferred)
- 1/2” Combination wrench
- 7/16” Combination wrench
- Hammer
- Hammer drill
- Caulk gun
- Drill (cordless preferred)
- 11/64” drill bit
- Tape measure
- Chalk line

- 1 /4” Masonry bit
- #2 Phillips bit (2-3)
- Denatured alcohol
- Shop rags

Section A
Panel Identification
Refer to the floor plan supplied.

Depending on the nature of your kennel project you will have either letter and or number designations on the tag(s) wired to the top of the panel as shown in Figure 1.

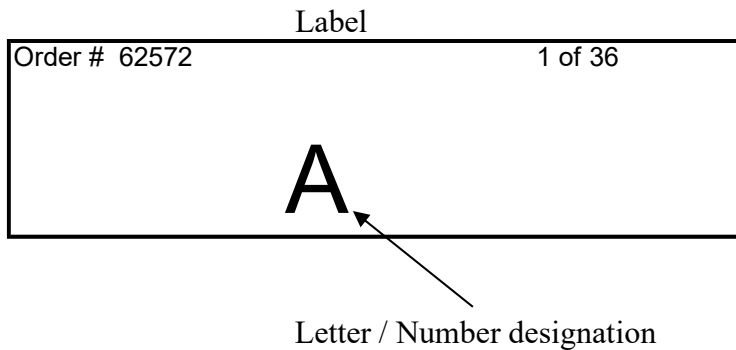


Figure 1

Each connection point of the panels should be aligned as shown on the floor plan. Note the difference in the alignment of the two panel connections shown in Figure 2. It will make a difference as to how your runs go together if you do not align the panels properly and in some cases they may not go together at all.

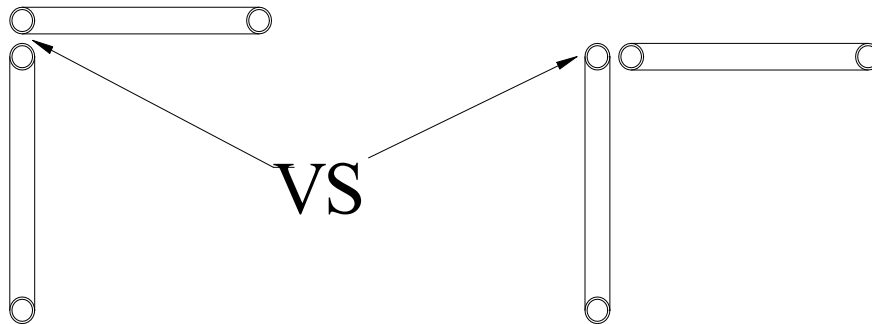


Figure 2

Section B
Run Assembly

1. Refer to the floor plan and select a starting point for assembling the runs (preferably on the end of a bank of runs at the intersection of the gate / stall front and outside division panel), which is best for your application. Once selected, identify the exact location of the outside corner of that run. Mark both sides of the corner on the floor with a chalk line (or other preferred method) as shown in Figure 3. **Important:** Make sure that the two lines are perpendicular and in the exact

final location desired for the corner of your kennel and that the line coming from the wall is perpendicular to the wall.

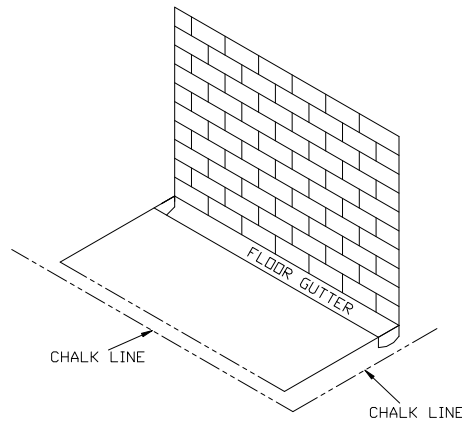


Figure 3.

2. Layout the “Sanislope Channel” sections approximately where they will lie on the final floor plan as shown in Figure 4. The edge of the channel should be flush with the floor gutter.
 - **Optional** – If you have only a few runs or know the exact locations of all division panels you may choose to seal the bottom side of the “Sanislope Channel” to the floor at this point in addition to the edges after all panels are in place. This step is not required but may improve the life of the seal between runs. If not desired proceed to Step B-3 otherwise proceed as follows:
 - Mark the floor for locations of all division panels.
 - Apply a 1/8” bead of sealant provided to the center of the bottom side of each “Isolation Channel” and press the channel firmly into place on the floor. Note: Once applied to the floor the channel can only be moved slightly within the first few hours.
 - Proceed onto Step B-3.

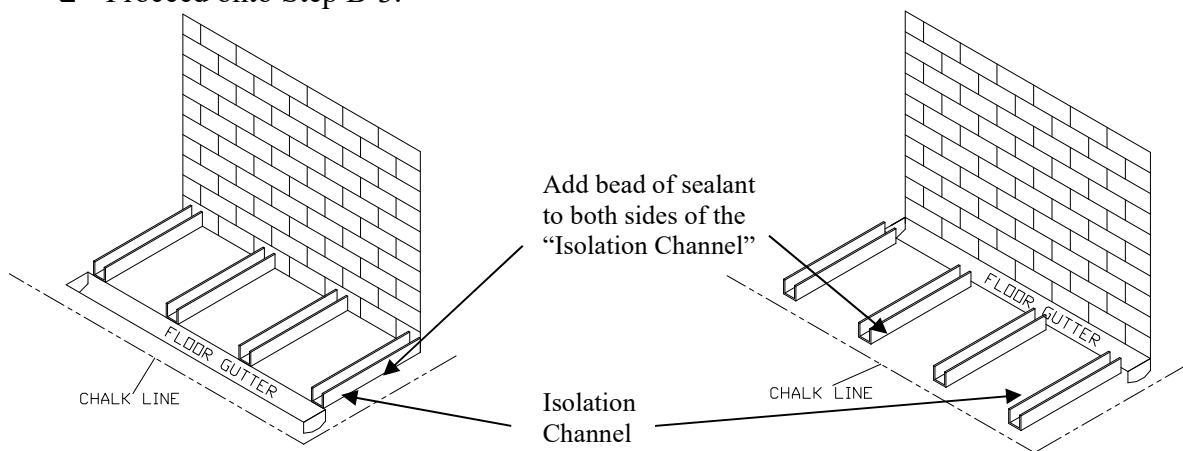


Figure 4

3. Place two “Isolation Hangers” in each isolation channel approximately 1’ from each end of the channel.
4. Using the floor plan, layout and mark the wall on which the division panels will be mounted with the centerlines of each panel. Be sure to mark the wall above where the panel will be mounted and visible enough to see easily.
5. Starting from the point you selected in step B-1 place the first “outside division panel” on the corresponding “Sanislope Channel”. See Figure 5 for the sequence in which to assemble the

panels. Orient the first specified “division panel” against the wall as shown in the exploded view of Figure 5, so that it is centered under the mark applied in section B-4.

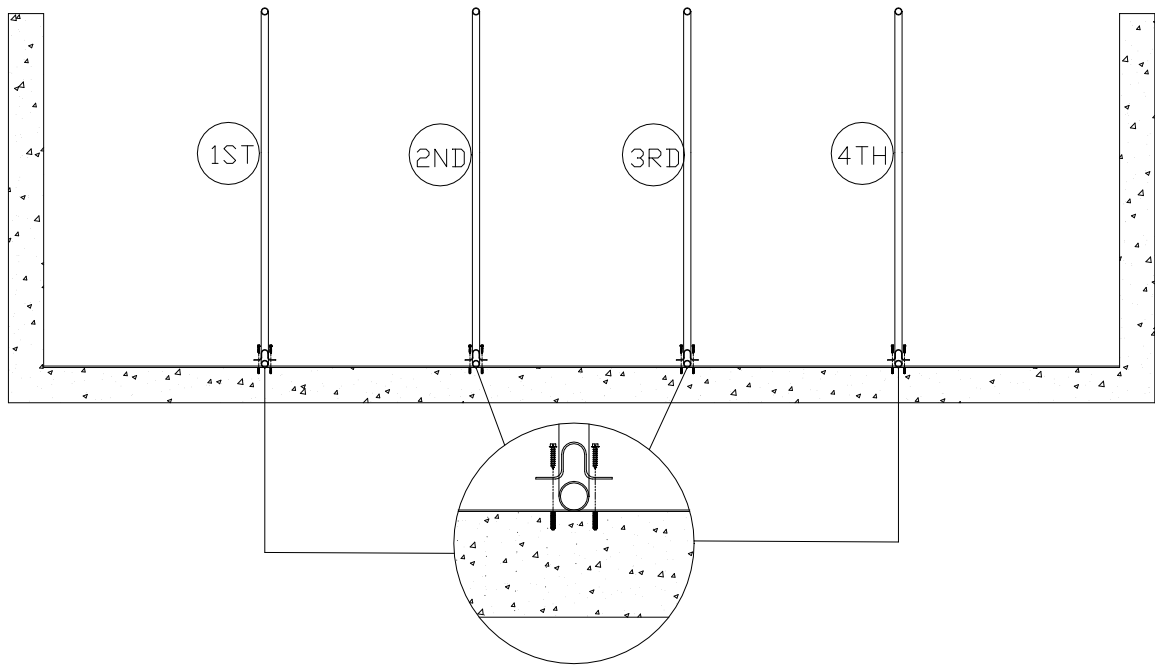


Figure 5

6. Using a level, plumb the panel by sliding the “Isolation Hangers” within the “Isolation Channel” as required. Push the panel tight against the wall. Using the “Wall Clamps” as a template, place one clamp at each tie location on the panel as shown in Figure 5 above. Mark the wall through each hole in the clamps. When all the holes are marked either set the panel aside or lean it to the side.
7. Drill a 3/16” hole at least 1-1/4” deep at each point mark in step B-5.
8. Realign the panel and clamps over the holes and using 1/4” x 1-1/4” hex head Tapcon screws (not supplied), apply a screw in every hole in the back flange of the division panel.
9. Repeat steps B-6 through B-9 to assemble all of the division panels to the wall.
10. Repeat Steps B-1 through B-10 for all other banks of runs.

Section C

Gate / Stall Front Hanging

Chainlink Gates / Stall Fronts

1. Attach the gate / stall front on the front of each division panel with two clamps on each side using the 5/16” x 1-1/2” bolts and nuts provided as shown in Figure 6. Note: It takes two halves to make up one clamp. Attach gates / stall fronts to outside division panels using “panel clamps”. All other gates / stall fronts will use “triple clamps”. **To help insure the safety of the animals the round head of the bolt should be assembled toward the inside of the run.** Note: The triple clamps attach two gates / stall fronts together. Therefore you will have to hang two gates / stall fronts at the same time (see Figure 7).
2. Adjust the gate latch following the instructions in **Section E**, “Gate /Stall Front Adjustment”.

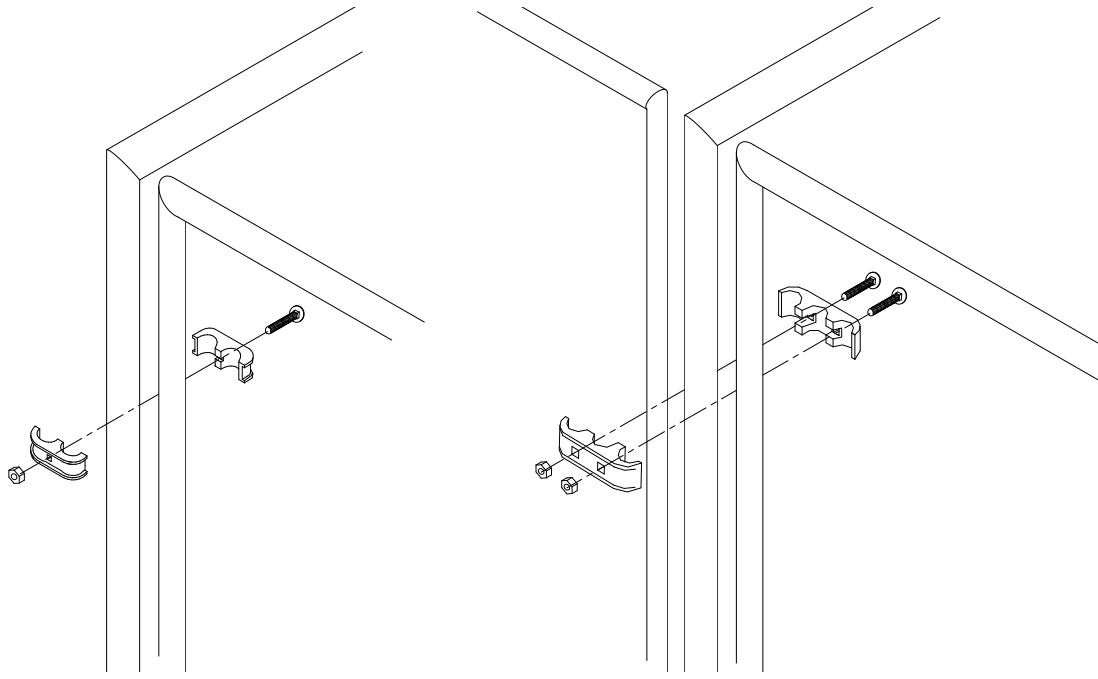


Figure 6

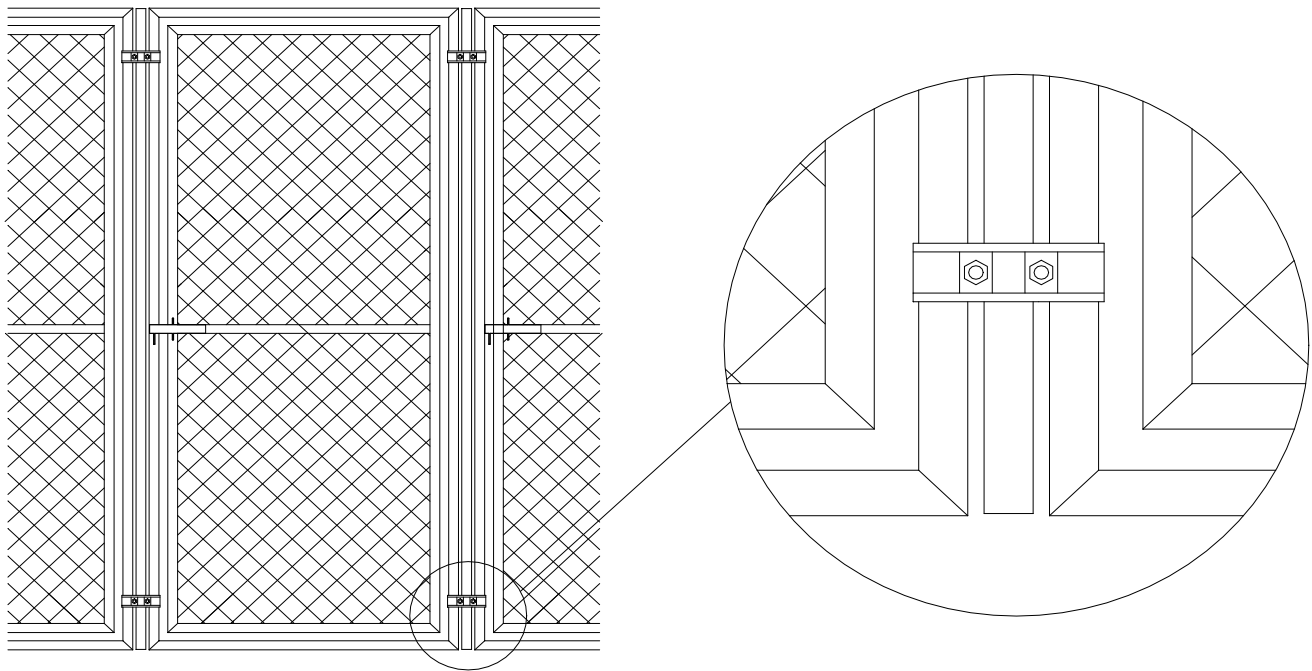


Figure 7

Section D Sealing

1. Clean along the edge of all of the “Sanislope Channels” where they come in contact with the concrete using denatured alcohol applied to shop rag.
2. Apply a thin bead of sealant provided along the seam created between the “Sanislope Channel” and the concrete on both sides of the channel.

Section E Gate / Stall Front Adjustment

During shipment and installation, gate assemblies may be forced out of adjustment. If your gate does not latch automatically when pushed closed, the latch can be adjusted by following these instructions.

Chainlink Gate / Stall Front (Reference Figure 8)

During the following adjustment process you may need to move the wire mesh slightly. To do so, use a small block of wood and hammer to tap the wire out of the way.

1. Loosen the latch catch bolt just enough to allow the latch catch to slide up and down.
2. Tap the latch catch up or down until the inside latch bar handle rests on the horizontal brace pipe and the latch bar rests in the bottom of the latch catch.
3. Check to insure the pendant swings freely. If it catches on the latch catch bolt or you've run out of adjustment in the latch catch slot you may have to raise the gate inside of its frame.
4. If the gate needs to be moved, loosen the top and bottom hinge bolts and raise (or lower) both the gate and the top hinge as needed then tighten both hinge bolts.
5. Re-adjust the latch catch.
6. Tighten latch catch bolt.

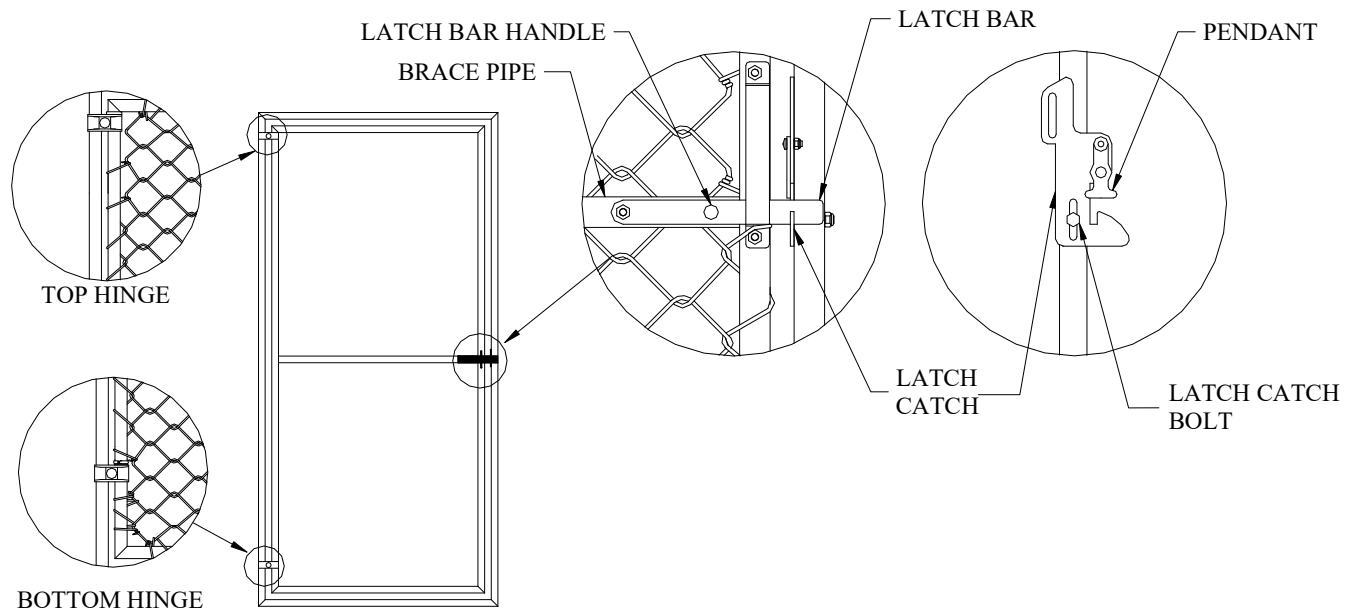
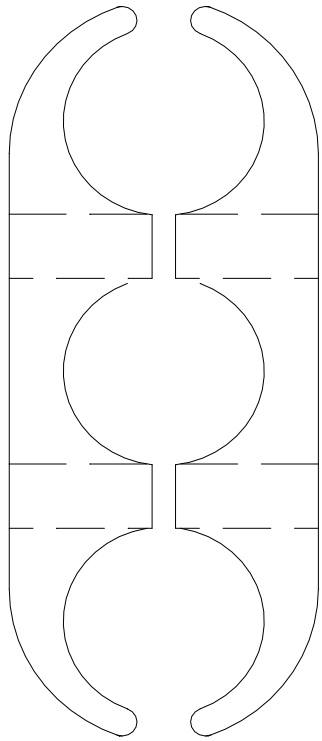


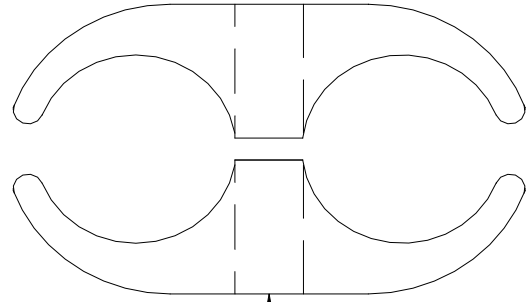
Figure 8

Maintenance

Over time, your Mason kennels might require adjustments, lubrication, or replacement parts in order to remain in top working condition. We recommend a yearly maintenance schedule to lubricate door hinges, adjust gate locks and any other moving parts. A standard industrial grease works well. If your kennels should need any replacement parts, our professional sales engineers will be happy to review your original order and assist you.

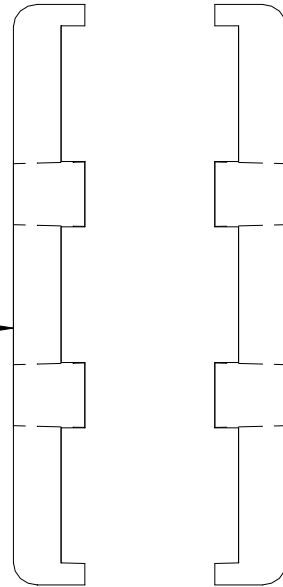


MASONRY
TRIPLE
CLAMP,
PART # 328

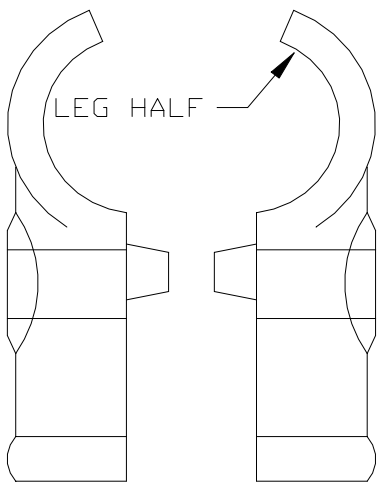


PANEL
CLAMP
PART # 330

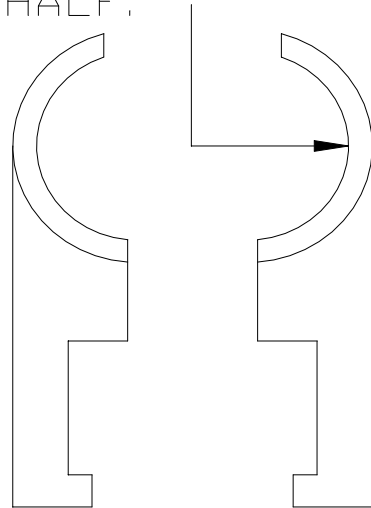
SQUARE TRIPLE
CLAMP,
PART # 1798



SQUARE TO ROUND
HALF.

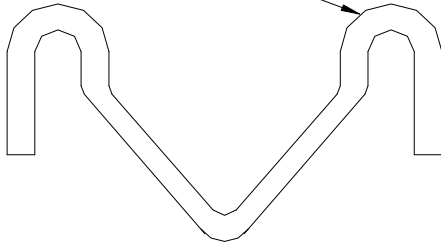


NEED 2 HALVES TO
MAKE A FULL LEG
PART # 325

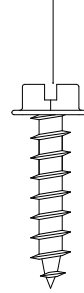


NEED 2 HALVES TO
MAKE A FULL
SQUARE TO ROUND.
PART # 1468

ISOLATION HANGER
PART #1402



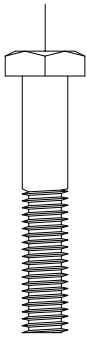
#12 X 1" SELF TAPPING
SCREW HEX HEAD
PART # 891



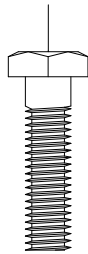
1/4" x 1 1/4" TAPCON
PART # - 1344



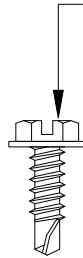
1/4-20 X 1-1/2 HHCS.
PART # 369



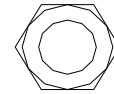
1/4-20 X 1" HHCS.
PART # 366



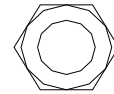
#10 X 32 X 5/8"
HEX WASHER HEAD
TEK SCREW
PART # 2222



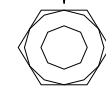
5/16-18 NUT
PART # 423



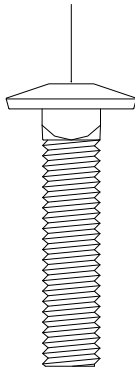
5/16-18 NUT
STAINLESS STEEL
PART # 424



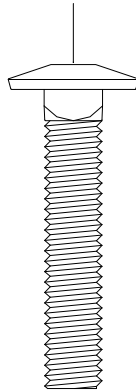
1/4-20 NUT
PART # 422



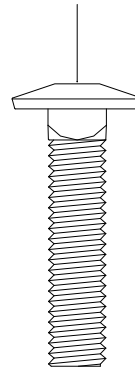
5/16" X 1-1/2"
GALVANIZED
CARRIAGE BOLT
PART # 356



5/16" X 1-3/4"
GALVANIZED
CARRIAGE BOLT
PART # 357



5/16" X 1-1/2"
STAINLESS STEEL
CARRIAGE BOLT
PART # 1955



5/16" X 1-3/4"
STAINLESS STEEL
CARRIAGE BOLT
PART # 1771

